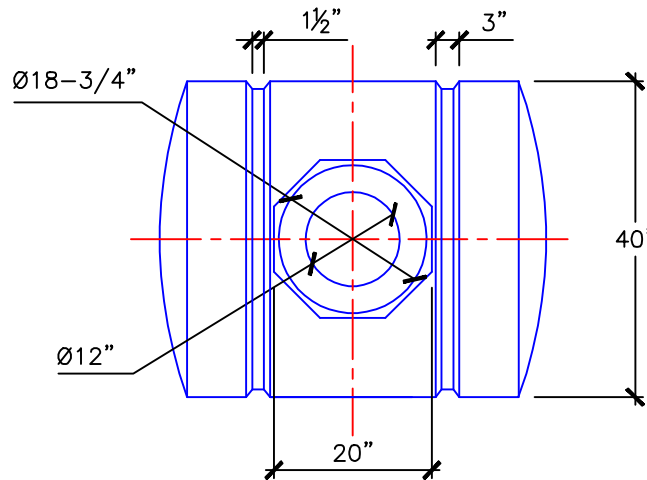


NOTES:

- ① 7" x 7" LAYOUT FLATS (4)
- ② 8" OR 16" LID FLAT
- ③ GALLON MARKERS ON BOTH ENDS



POLY-MART 250 GALLON HORIZONTAL LEG TANK